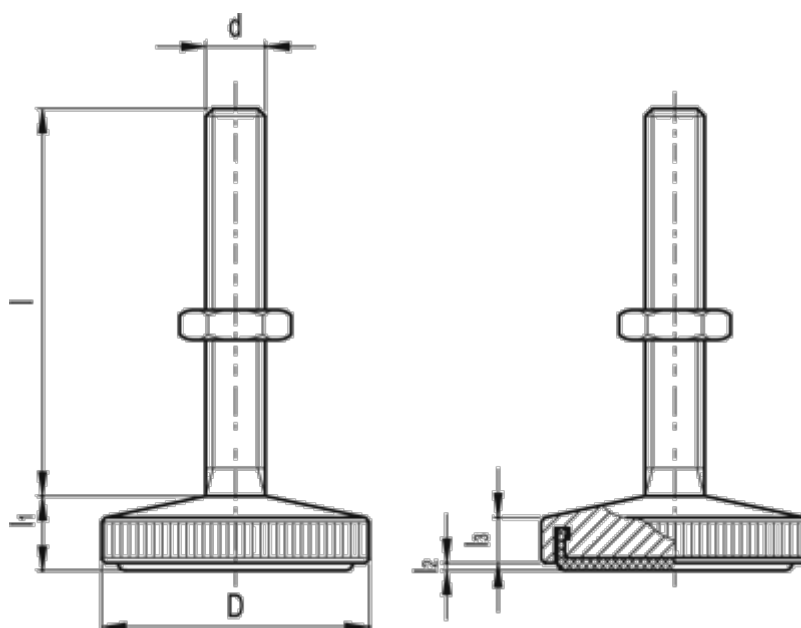


Article number: 20597091

Description: E+G Levelling foot
GN 339-29-M8-35-KR-ST

Measures



d = M8

D = 29

l = 35

l1 approx. = 8

l2 = 0.4

l3 approx. = 5